

ANCHOR CHAIN

Testing Load of Anchor Chain and Accessories & Mooring Chain

Diameter of Chain	Anchor Chain				Offshore Mooring Chain											
	ABS, BV, CCS, CR, DNV, GL, KR, LR, NK, RINA, RMRS				API		ABS	DNV ABS	ABS/DNV	ABS/DNV		ABS/DNV				
	C/EL/E		C/EL/E		ORQ	RQ3	NVR3/R3	NVR3/R3	C/EL/E/SL	C/EL/E	SL	C/EL/E/SL	C/EL/E	SL	C/EL/E/SL	
	Grade2	Grade3	Grade2	Grade3	ORQ	RQ3	NVR3/R3	NVR3/R3	RQ3/NVR3S	RQ3/NVR3S	RQ4/NVR4	RQ4/NVR4	RQ4/NVR4	RQ4/NVR4		
PL C=0.098	BL C=0.0137	PL C=0.0137	BL C=0.0196	PL C=0.014	BL C=0.0211	PL C=0.0148	PL C=0.0156	PL C=0.0223	PL C=0.0180	PL C=0.0174	BL C=0.0249	PL C=0.0216	PL C=0.0192	BL C=0.0274		
mm	KN	KN	KN	KN	KN	KN	KN	KN	KN	KN	KN	KN	KN	KN		
12.5	66	92	92	132												
14	82	116	116	165	-	-	-	-	-	-	-	-	-	-	-	
16	107	150	150	216	-	-	-	-	-	-	-	-	-	-	-	
17.5	127	179	179	256	-	-	-	-	-	-	-	-	-	-	-	
19	150	211	211	301	-	-	-	-	-	-	-	-	-	-	-	
20.5	175	244	244	349	-	-	-	-	-	-	-	-	-	-	-	
22	200	280	280	401	-	-	-	-	-	-	-	-	-	-	-	
24	237	332	332	476	-	-	-	-	-	-	-	-	-	-	-	
26	278	389	389	556	-	-	-	-	-	-	-	-	-	-	-	
28	321	449	449	642	-	-	-	-	-	-	-	-	-	-	-	
30	368	514	514	735	-	-	-	-	-	-	-	-	-	-	-	
32	417	583	583	833	-	-	-	-	-	-	-	-	-	-	-	
34	468	655	655	937	668	1007	706	745	1064	859	831	1188	1031	916	1308	
36	523	732	732	1050	746	1124	789	832	1189	960	928	1327	1151	1022	1460	
38	581	812	812	1160	828	1248	876	923	1319	1065	1029	1473	1278	1135	1621	
40	640	896	896	1280	914	1376	967	1019	1456	1176	1136	1626	1411	1253	1789	
42	703	981	981	1400	999	1513	1056	1114	1592	1285	1242	1777	1542	1370	1956	
44	769	1080	1080	1540	1097	1654	1160	1223	1748	1411	1364	1951	1693	1503	2147	
46	837	1170	1170	1680	1194	1800	1263	1331	1902	1535	1484	2124	1843	1636	2337	
48	908	1270	1270	1810	1295	1952	1369	1443	2063	1665	1610	2304	2037	1775	2535	
50	981	1370	1370	1960	1400	2110	1480	1561	2230	1800	1743	2490	2160	1918	2740	
52	1060	1480	1480	2110	1508	2273	1594	1682	2402	1939	1877	2682	2327	2066	2952	
54	1140	1590	1590	2270	1620	2441	1712	1806	2580	2083	2017	2881	2499	2219	3170	
56	1220	1710	1710	2430	1735	2615	1834	1935	2764	2231	2160	3086	2677	2378	3396	
58	1290	1810	1810	2600	1851	2794	1960	2068	2953	2383	2308	3297	2860	2540	3628	
60	1380	1940	1940	2770	1976	2978	2089	2203	3147	2540	2406	3514	3048	2708	3867	
62	1470	2060	2060	2940	2101	3166	2221	2343	3347	2701	2616	3737	3242	2879	4112	
64	1560	2190	2190	3130	2230	3360	2357	2486	3551	2867	2776	3965	3440	3055	4364	
66	1660	2310	2310	3300	2361	3559	2496	2633	3761	3036	2940	4200	3643	3235	4621	
68	1750	2450	2450	3500	2496	3762	2639	2784	3976	3209	3108	4440	3851	3420	4885	
70	1840	2580	2580	3690	2631	3970	2785	2938	4196	3387	3289	4685	4064	3610	5156	

ANCHOR CHAIN

ANCHOR CHAIN

Testing Load of Anchor Chain and Accessories & Mooring Chain

Testing Load of Anchor Chain and Accessories & Mooring Chain

Diameter of Chain	Anchor Chain				Offshore Mooring Chain											
	ABS, BV, CCS, CR, DNV, GL, KR, LR, NK, RINA, RMRS				API	ABS		DNV		ABS/DNV		ABS/DNV		ABS/DNV		
	Grade2		Grade3			C/EL/E	SL	C/EL/E	SL	C/EL/E	SL	C/EL/E	SL	C/EL/E	SL	
	PL C=0.098	BL C=0.0137	FL C=0.0137	EL C=0.0196	PL C=0.014											EL C=0.0211
	mm	KN	KN	KN	KN	KN	KN	KN	KN	KN	KN	KN	KN	KN	KN	KN
73	1990	2790	2790	3990	2847	4291	3010	3175	4535	3660	3545	5064	4392	3900	5572	
76	2150	3010	3010	4300	3066	4621	3242	3419	4884	3942	3818	5454	4731	4206	6001	
78	2260	3160	3160	4500	3216	4847	3400	3587	5123	4135	4004	5720	4962	4411	6295	
81	2410	3380	3380	4820	3446	5194	3643	3843	5490	4431	4291	6130	5317	4727	6745	
84	2580	3610	3610	5160	3683	5550	3893	4107	5866	4735	4585	6550	5682	5051	7208	
87	2750	3850	3850	5500	3925	5916	4149	4377	6252	5046	4887	6981	6056	5383	7682	
90	2920	4090	4090	5840	4173	6289	4412	4653	6647	5365	5196	7422	6439	5724	8167	
92	3040	4260	4260	6080	4242	6544	4590	4842	6916	5582	5405	7722	6699	5955	8497	
95	3230	4510	4510	6440	4599	6932	4862	5128	7326	5913	5726	8180	7096	6308	9001	
97	3340	4680	4680	6690	4774	7195	5047	5323	7604	6138	5943	8490	7365	6547	9343	
100	3530	4940	4940	7060	5040	7596	5328	5620	8028	6480	6275	8964	7776	6912	9864	
102	3660	5120	5120	7320	5220	7868	5519	5821	8315	6712	6500	9285	8054	7160	10217	
105	3850	5390	5390	7700	5495	8282	5809	6128	8753	7065	6842	9773	8478	7536	10754	
107	3980	5570	5570	7960	5681	8561	6005	6334	9048	7304	7072	10103	8764	7791	11118	
111	4250	5940	5940	8480	6058	9130	6401	6755	9650	7789	7543	10775	9347	8309	11856	
114	4440	6230	6230	8890	6346	9565	6709	7077	10109	8159	7901	11287	9791	8704	12420	
117	4650	6510	6510	9300	6639	10005	7018	7402	10574	8535	8265	11807	10242	9105	12993	
120	4850	6810	6810	9720	6953	10452	7331	7733	11047	8916	8634	12334	10700	9511	13573	
122	5000	7000	7000	9990	7135	10753	7542	7956	11365	9173	8883	12690	11008	9785	13964	
124	5140	7200	7200	10280	7336	11057	7755	8175	11688	9433	9134	13048	11319	10062	14358	
127	5350	7490	7490	10710	7641	11516	8078	8515	12172	9825	9514	13951	11790	10480	14955	
130	5570	7800	7800	11140	7950	11981	8404	8858	12663	10222	9898	14140	12266	10903	15559	
132	5720	8000	8000	11420	8157	12294	8623	9090	12994	10488	10157	14509	12586	11187	15965	
137	6080	8510	8510	12160	8682	13085	9178	9674	13829	11163	10809	15442	13395	11907	16992	
142	6450	9030	9030	12910	9214	13887	9740	10268	14677	11847	11472	16389	14217	12637	18034	
147	6840	9560	9560	13660	9753	14670	10310	10869	15536	12540	12144	17348	15049	13377	19089	
152	7220	10100	10100	14430	10299	15522	10887	11477	16405	13242	12823	18318	15890	14125	20157	
157	7600	10640	10640	15200	11126	16768	11762	12090	17282	13950	13508	19297	16740	14880	21234	
162	7990	11180	11180	15980	11405	17189	12057	12708	18166	14663	14199	20284	17596	15641	22320	

Diameter of Chain	Anchor Chain						Offshore Mooring Chain											
	ABS, BV, CCS, CR, DNV, GL, KR, LR, NK, RINA, RMRS						API		ABS		DNV		ABS/DNV		ABS/DNV		ABS/DNV	
	Grade2		Grade3		ORQ		C/EL/E	SL	C/EL/E	SL	C/EL/E	SL	C/EL/E	SL	C/EL/E	SL	C/EL/E	SL
	PL C=1422	BL C=1991	FL C=1991	EL C=2844	PL C=2000.5	EL C=3000.3												
	in	lbf	lbf	lbf	lbf	lbf	lbf	lbf	lbf	lbf	lbf	lbf	lbf	lbf	lbf	lbf	lbf	lbf
1/2	15300	21400	21400	30600	-	-	-	-	-	-	-	-	-	-	-	-	-	
9/16	19300	27000	27000	38600	-	-	-	-	-	-	-	-	-	-	-	-	-	
5/8	23700	33200	33200	47500	-	-	-	-	-	-	-	-	-	-	-	-	-	
11/16	28600	40100	40100	57300	-	-	-	-	-	-	-	-	-	-	-	-	-	
3/4	34000	47600	47600	68000	-	-	-	-	-	-	-	-	-	-	-	-	-	
13/16	39800	55700	55700	79500	-	-	-	-	-	-	-	-	-	-	-	-	-	
7/8	46000	64400	64400	91800	-	-	-	-	-	-	-	-	-	-	-	-	-	
15/16	52600	73700	73700	105000	-	-	-	-	-	-	-	-	-	-	-	-	-	
1	59700	83600	83600	119500	-	-	-	-	-	-	-	-	-	-	-	-	-	
1 1/16	67200	94100	94100	135000	-	-	-	-	-	-	-	-	-	-	-	-	-	
1 1/8	75000	105000	105000	150000	-	-	-	-	-	-	-	-	-	-	-	-	-	
1 3/16	83400	116500	116500	167000	-	-	-	-	-	-	-	-	-	-	-	-	-	
1 1/4	92200	129000	129000	184000	-	-	-	-	-	-	-	-	-	-	-	-	-	
1 5/16	101500	142000	142000	203000	-	-	-	-	-	-	-	-	-	-	-	-	-	
1 3/8	111000	155000	155000	222000	158187	238413	167263	176471	252101	203333	196867	281238	243454	216880	309829			
1 7/16	120500	169000	169000	241000	172361	259777	182251	192284	274691	221553	214507	306439	265269	236314	337592			
1 1/2	131000	183500	183500	262000	187095	281983	197829	208721	298172	240491	232843	332633	287944	256515	366449			
1 9/16	142000	198500	198500	284000	202381	305022	213993	225774	322534	260140	251868	359811	311471	277473	396390			
1 5/8	153000	214000	214000	306000	218215	328885	230735	243437	347767	280492	271573	387961	335838	299181	427401			
1 11/16	166500	229000	229000	327000	234589	353564	248048	261704	373863	301540	291951	417072	361039	321631	459472			
1 3/4	176000	247000	247000	352000	251498	379048	265927	280568	400811	332274	312994	447134	387062	344814	492591			
1 13/16	188500	264000	264000	377000	268935	405330	284366	300021	428601	345689	334896	478136	413899	368721	526745			
1 7/8	201000	281000	281000	402000	286896	432399	303357	320057	457225	368775	357048	510068	441541	393346	561923			
1 15/16	214000	299000	299000	427000	305373	460247	322894	340670	486671	392526	380043	542918	469978	418679	598112			
2	227000	318000	318000	454000	324361	488865	342971	361853	516932	416932	403674	576676	499201	444712	635302			
2 1/16	241000	337000	337000	482000	343853	518243	363582	383598	547997	441988	427932	611331	529200	471437	673481			
2 1/8	255000	357000	357000	510000	363844	548373	384719	405899	579856	467684	452811	646873	559966	498845	712635			
2 3/16	269000	377000	377000	539000	384327	579244	406378	428750	612500	494013	478303	683290	591491	526928	752755			
2 1/4	284000	396000	396000	570000	405297	610849	428551	452144	645920	520968	504400	720572	623764	555679	793827			
2 5/16	299000	418000	418000	602000	426747	643178	451232	476074	680105	548540	531096	758708	656776	585088	835840			
2 3/8	314000	440000	440000	628000	448672	676222	474414	500532	715046	576721	558381	797687	690519	615147	878782			
2 7/16	330000	462000	462000	660000	471064	709972	498092	525514	750733	605505	586250	837499	724982	645849	922641			
2 1/2	346000	484000	484000	692000	493920	744418	522258	551010	787158	634883	614693	878133	760157	677184	967406			
2 9/16	363000	507000	507000	726000	517231	779553	546907	577016	824309	664847	643705	919578	796034	709145	1013064			
2 5/8	379000	530000	530000	758000	540993	815365	572032	603524	862177	695390	673276	961823	832603	741723	1059604			
2 11/16	396000	554000	554000	792000	565198	851847	597626	630528	900754	726504	703401	1004858	869857	774910	1107014			
2 3/4	413000	578000	578000	826000	589842	889899	623684	658020	940029	758181	734071	1048672	907784	808698	1155282			
2 13/16	431000	603000	603000	861000	614918	926783	650199	685994	979992	790414	765278	1093254	946377	843078	1204397			
2 7/8	449000	628000	628000	897000	640420	965218	677164	714444	1020634	823194	797016	1138593	985625	878042	1254345			

ANCHOR CHAIN

ANCHOR CHAIN

Testing Load of Anchor Chain and Accessories & Mooring Chain

Diameter of Chain	Anchor Chain								Offshore Mooring Chain								Approx.mass (27.5m)	
	ABS, BV, CCS, CR, DNV, GL, KR, LR, NK, RINA, RMRS								API	ABS	DNV ABS	ABS/DNV	ABS/DNV	ABS/DNV				
	Grade2		Grade3		ORQ		RQ3	NVR3/RQ3						NVR3/RQ3	RQ3S/NVR3S			RQ4/NVR4
	PL C=1422	BL C=1991	PL C=1991	BL C=2644	PL C=2030.5	BL C=3000.3	PL C=2147	PL C=2352	EL C=2610	PL C=2527	EL C=2610	PL C=3610	PL C=3125	PL C=27839	EL C=3977			
	in	lbf	lbf	lbf	lbf	lbf	lbf	lbf	lbf	lbf	lbf	lbf	lbf	lbf	lbf			
2 15/16	467000	654000	654000	934000	666341	1004287	704573	743362	1061945	856514	829276	1184680	1025519	913582	1305116			
3	485000	679000	679000	970000	698277	1043979	732419	772742	1103917	890365	862051	1231501	1066051	949689	1356698			
3 1/16	504000	705000	705000	1008000	719421	1084286	760698	802577	1146538	924742	895334	1279049	1107210	986356	1409079			
3 1/8	523000	732000	732000	1046000	746566	1125199	789400	832860	1189799	959634	929117	1327310	1148987	1023573	1462247			
3 3/16	542000	759000	759000	1084000	774107	1166708	818522	8635584	1233692	995036	963393	1376275	1191374	1061333	1516190			
3 1/4	562000	787000	787000	1124000	802038	1208804	848055	894744	1278205	1030938	998153	1425933	1234361	1099628	1570897			
3 5/16	582000	814000	814000	1163000	830353	1251479	877995	926331	1323330	1067334	1033392	1476274	1277938	1138448	1626355			
3 3/8	602000	843000	843000	1204000	859045	1294723	908333	958340	1369057	1104215	1069100	1527285	1322096	1177787	1682552			
3 7/16	622000	871000	871000	1244000	888109	1338528	939065	990763	1415376	1141573	1105271	1578958	1366826	1217635	1739478			
3 1/2	643000	900000	900000	1285000	917539	1382883	970183	1023595	1462278	1179402	1141896	1631280	1412119	1257984	1797119			
3 9/16	664000	929000	929000	1327000	947328	1427780	1001681	1056827	1509752	1217693	1178969	1684242	1457965	1298826	1855465			
3 5/8	685000	958000	958000	1369000	977470	1473210	1033553	1090453	1557790	1256438	1216482	1737332	1504356	1340152	1915403			
3 3/4	728000	1019000	1019000	1455000	1038792	1565631	1098392	1158863	1655158	1335260	1292798	1846854	1596731	1424226	2034609			
3 7/8	772000	1080000	1080000	1543000	1101454	1660074	1164650	1228788	1755383	1415807	1370783	1958261	1695171	1510139	2157342			
3 15/16	794000	1111000	1111000	1587000	1133274	1708031	1198295	1264266	1806093	1456707	1410383	2014832	1744142	1553765	2219664			
4	816000	1143000	1143000	1632000	1165410	1756466	1232275	1300117	1857309	1498015	1450377	2071967	1793601	1597825	2282608			
4 1/8	862000	1207000	1207000	1724000	1230610	1854734	1301217	1372853	1961219	1581824	1531521	2187886	1893946	1687218	2410311			
4 1/4	908000	1272000	1272000	1817000	1297007	1954805	1371423	1446925	2067035	1667170	1614153	2305932	1996133	1778251	2540358			
4 3/8	956000	1338000	1338000	1911000	1364552	2056606	1442843	1522277	2174681	1753992	1698214	2426019	2100086	1870857	2672653			
4 1/2	1004000	1405000	1405000	2008000	1433196	2160004	1515426	1598856	2284079	1842227	1783643	2548061	2205732	1964972	2807102			
4 5/8	1053000	1474000	1474000	2105000	1502892	2265107	1589121	1676607	2395153	1931814	1870381	2671972	2321996	2060527	2943610			
4 3/4	1102000	1543000	1543000	2204000	1573591	2371662	1663876	1755478	2507825	2022690	1958367	2797667	2421803	2157458	3082083			
4 7/8	1153000	1613000	1613000	2305000	1645244	2479655	1739640	1835413	2622019	2114793	2047541	2925058	2532079	2256698	3222425			
5	1203000	1685000	1685000	2407000	1717804	2589014	1816363	1916360	2737657	2208061	2137843	3054061	2643751	2355180	3364543			
5 1/8	1255000	1757000	1757000	2509000	1791221	2699666	1893992	1998263	2854661	2302431	2229212	3184588	2756742	2455838	3508340			
5 1/4	-	-	-	-	1865448	2811539	1972478	2081070	2972957	2397842	2321589	3316555	2870979	2557606	3653723			
5 3/8	1359000	1903000	1903000	2718000	1940436	2924558	2051768	2164726	3092465	2494232	2414913	3449876	2963388	2660418	3800597			
5 1/2	-	-	-	-	2016137	3038652	2131813	2249176	3213109	2591537	2509125	3584483	3102894	2784207	3948867			
5 5/8	1466000	2052000	2052000	2935000	2092502	3153747	2212559	2334369	3334812	2689697	2604163	3720232	3220423	2868907	4098439			
5 3/4	1520000	2128000	2128000	3039000	2169484	3269771	2293958	2420248	3457497	2788649	2699968	3857097	3338900	2974452	4249217			
5 7/8	-	-	-	-	2247033	3386651	2375957	2506761	3581087	2888331	2796480	3994971	3458250	3080776	4401108			
6	1629000	2280000	2280000	3257000	2325102	3504313	2458504	2593854	3705505	2988680	2893638	4133768	3578401	3187811	4554015			
6 1/8	-	-	-	-	2403641	3622686	2541550	2681472	3830674	3089635	2991382	4273403	3699276	3295492	4707846			
6 1/4	1684000	2357000	2357000	3367000	2482604	3741695	2625043	2769561	3956516	3191133	3089653	4413790	3820801	3403753	4862504			
6 3/8	1795000	2512000	2512000	3589000	2651941	3861269	2708932	2858069	4082955	3293113	3188389	4554842	3942903	3512527	5017896			

Testing Load of Studless Chain

Diameter of Chain	Grade1		Grade2		Grade3		Approx.mass (27.5m)
	PL	BL	PL	BL	PL	BL	
mm	KN	KN	KN	KN	KN	KN	Kg
6	6.62	13.32	9.3	18.6	-	-	21.45
7	9.02	18.13	12.6	25.2	-	-	29.15
8	11.78	23.68	16.5	33	-	-	38.23
9	14.9	29.97	20.9	41.8	-	-	48.4
10	18.4	37	25.8	51.6	-	-	59.68
11	22.26	44.7	31.2	62.4	-	-	72.33
12.5	28.75	57.81	41.2	82.6	-	-	93.5
14	34.78	69.93	51	101.9	-	-	117.15
16	47.1	94.72	66.2	132.3	92.42	184.83	152.9
17.5	56.35	113.31	78.89	157.78	110.55	221.1	182.8
19	66.42	133.57	93.6	187.2	130.32	260.64	249.5
20.5	77.33	155.49	108.64	217.27	151.7	303.42	275.4
22	89.06	179.08	125.4	250.9	174.4	349.4	328.6
24	105.98	213.25	149.9	298.9	207.9	415.8	385
26	124.38	250.12	175.4	350.8	244	488	449.1
28	144.26	290.08	203.8	406.7	283	566	516.7
30	165.6	333	234.2	467.5	324.9	649.8	589.4
32	188.42	378.88	265.6	531.2	369.6	739.3	664.6
34	212.7	427.72	299.9	599.8	417.3	834.6	752.9
36	238.46	479.52	336.1	672.3	467.8	935.7	861.2
38	265.7	534.28	374.4	748.7	521.3	1042.5	957.5
40	294.9	592	414.5	829.1	577.6	1155.2	1056.2
42	324.58	652.68	457.7	915.3	636.8	1273.6	1166.5
44	356.22	716.32	502.7	999.6	698.9	1398	1270.4
46	389.34	782.92	548.8	1097.6	763.9	1527.8	1396.6
48	423.94	852.48	597.8	1195.6	831.7	1663.5	1520.6
50	460	926.09	648.8	1299.6	902.5	1805	1650

ANCHOR CHAIN

ANCHOR

Arrangement of Anchor Chain

01a Anchor chain all common links
Length=15fathoms=90feet=27.50metres

02a Anchor chain length with EL and E both ends
Length=15fathoms=90feet=27.50metres

03a Anchor chain length all studless links
Length=15fathoms=90feet=27.50metres

04a Anchor chain length with EL and E one end
Length=15fathoms=90feet=27.50metres

05sc Swivel Chain length with E one end
Length=15fathoms=90feet=27.50metres

06sc Swivel Chain length with E both ends
Length=15fathoms=90feet=27.50metres

07sc Swivel Chain length with E both ends
Length=15fathoms=90feet=27.50metres

09sc Swivel Chain length with E one end
Length=15fathoms=90feet=27.50metres

10sc Swivel Chain length with E one end
Length=15fathoms=90feet=27.50metres

11sc Swivel Chain length with E one end
Length=15fathoms=90feet=27.50metres

12sc Swivel Chain length with E one end
Length=15fathoms=90feet=27.50metres

13sf Swivel Chain length with E one end
Length=15fathoms=90feet=27.50metres

14sf Swivel Chain length with E one end
Length=15fathoms=90feet=27.50metres

15sf Swivel Chain length with E one end
Length=15fathoms=90feet=27.50metres

16sf Swivel Chain length with E one end
Length=15fathoms=90feet=27.50metres

17sf Swivel Chain length with E one end
Length=15fathoms=90feet=27.50metres

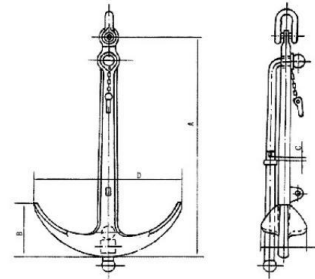
18sf Swivel Chain length with E one end
Length=15fathoms=90feet=27.50metres

19ta Swivel Chain length with E one end
Length=15fathoms=90feet=27.50metres

20ta Swivel Chain length with E one end
Length=15fathoms=90feet=27.50metres

21ta Swivel Chain length with E one end
Length=15fathoms=90feet=27.50metres

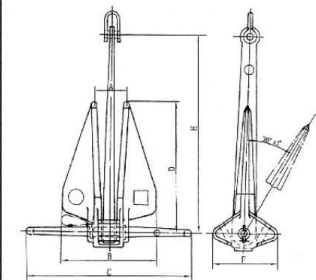
GB545-96 Admiralty Anchor



Weight (kg)	Size (mm)	A	B	C	D	E
50	960	230	42	635	185	
75	1105	266	45	710	210	
100	1215	293	49	780	230	
125	1310	316	52	840	245	
150	1395	336	55	900	265	
200	1535	370	61	990	290	
250	1650	398	65	1065	310	
300	1755	423	70	1105	330	
400	1930	465	77	1240	365	
500	2080	502	84	1335	390	
600	2210	533	89	1440	415	
700	2330	560	93	1500	440	
800	2435	587	97	1570	460	
900	2530	610	101	1630	475	
1000	2620	633	104	1685	495	
1250	2825	680	112	1810	535	
1500	3000	725	118	1955	565	
2000	3300	797	131	2140	625	
2500	3550	857	138	2270	672	
3000	3780	912	150	2415	715	
3500	3980	960	158	2540	750	
4000	4160	1000	155	2650	785	
5000	4480	1100	184	2830	800	
6000	4740	1113	190	3000	938	
7000	5025	1180	200	3165	960	
8000	4760	1280	210	3300	980	
9000	5450	1330	220	3440	990	
10000	5680	1340	230	3600	1085	

Danforth Anchor

Weight (kg)	Size (mm)	A	B	C	D	E	F
20	130	280	540	370	690	170	
25	135	300	580	400	740	185	
30	148	330	620	430	790	200	
40	160	360	680	470	860	220	
50	172	390	720	510	940	230	
60	186	408	755	535	985	240	
75	200	450	830	590	1080	260	
100	216	490	930	640	1180	290	
120	220	505	970	670	1230	300	
125	234	520	1000	690	1270	310	
150	242	550	1060	732	1348	330	
200	266	600	1150	810	1490	360	
250	294	650	1240	870	1600	390	
276	296	660	1250	885	1620	400	
300	312	690	1320	925	1700	420	
400	342	750	1460	1010	1810	460	
500	368	800	1570	1100	2020	490	
750	414	910	1800	1260	2300	560	
1000	450	980	1980	1380	2540	620	
1250	484	1070	2100	1490	2740	670	
1500	512	1120	2220	1580	2910	700	
2000	560	1130	2440	1730	2850	770	
2500	650	1217	2628	1864	3070	830	
4000	700	1420	3070	2170	3590	970	
5000	735	1482	3200	2270	3840	1020	
6000	800	1620	3500	2480	4100	1100	
7000	840	1696	3680	2590	4180	1150	
8500	864	1740	3930	2590	4390	1180	
10000	940	2000	4030	2590	4640	1280	
16000	1105	2240	4850	3435	5680	1520	
18000	1150	2200	5000	3570	5000	1580	

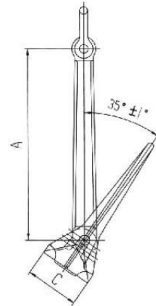
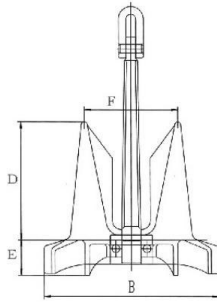


ANCHOR

HHP(HY-14)Stockless Anchor

mm

Size (mm)	A	B	C	D	E	F
56	612	555	170	376	113	298
100	745	675	200	458	135	364
135	745	675	205	458	135	364
180	909	822	252	558	166	442
225	1010	915	277	623	185	495
250	1010	915	280	623	185	495
270	1040	940	288	638	190	508
300	1075	975	298	660	200	525
315	1075	975	300	660	200	525
340	1120	1015	310	690	205	548
360	1120	1015	313	690	205	548
428	1213	1098	336	745	222	590
495	1255	1135	348	770	230	610
590	1350	1220	375	829	246	658
675	1412	1278	390	868	257	690
765	1470	1335	408	906	269	718
910	1560	1410	430	957	284	760
970	1592	1445	440	978	292	775
1080	1650	1495	455	1014	302	805
1200	1710	1545	470	1050	315	835
1305	1760	1595	485	1082	323	858
1361	1782	1615	495	1096	326	870
1440	1818	1645	505	1118	332	885
1575	1875	1695	518	1152	343	915
1710	1925	1745	532	1184	352	940
1845	1975	1785	546	1215	362	965
1980	2020	1830	560	1242	370	985
2100	2085	1885	570	1268	377	1005
2295	2130	1920	588	1310	385	1035
2475	2175	1970	602	1340	395	1062
2655	2225	2018	615	1368	408	1085
2794	2285	2055	625	1393	415	1105
3040	2320	2100	640	1424	426	1130
3550	2455	2225	680	1508	450	1198
3670	2480	2248	688	1525	455	1210
3940	2540	2300	705	1562	465	1240
4500	2655	2405	735	1632	485	1295
4840	2720	2465	755	1670	500	1330
5175	2785	2520	770	1710	510	1358
5610	2858	2590	790	1758	523	1396
6000	2922	2646	810	1796	535	1426
6450	2995	2712	830	1840	548	1462
6900	3062	2775	848	1884	560	1496
7350	3126	2832	866	1923	572	1526
7800	3190	2890	884	1962	584	1558
8300	3256	2950	902	2002	596	1590
8700	3308	2996	916	2034	605	1614
9300	3382	3064	936	2080	619	1652
9675	3425	3104	948	2108	627	1674
9900	3452	3128	956	2124	632	1686
10500	3523	3182	976	2166	645	1720
11100	3589	3252	994	2207	657	1752
11700	3650	3308	1010	2245	668	1782
12300	3712	3364	1028	2283	680	1812
12900	3772	3418	1044	2320	690	1842
13500	3830	3470	1060	2355	700	1870
14100	3885	3520	1076	2389	710	1896
14700	3940	3570	1090	2423	721	1924
15400	4002	3626	1108	2461	732	1954
16100	4062	3680	1125	2498	744	1982
16900	4128	3740	1144	2538	755	2016
17800	4200	3806	1162	2583	769	2050
18800	4277	3875	1185	2630	783	2088
20000	4366	3956	1210	2685	800	2132
25000	5046	4577	1375	3135	846	2438

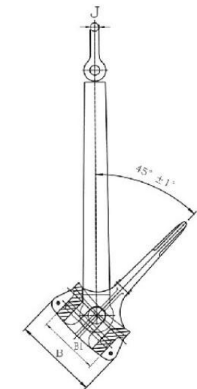
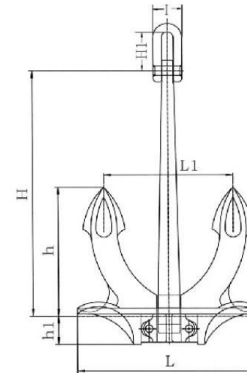


ANCHOR

Hall Anchor

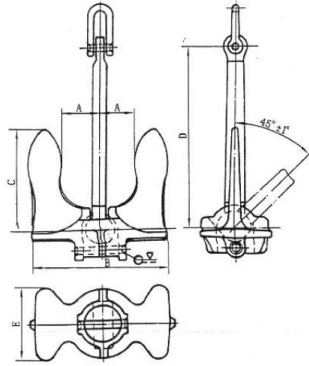
mm

Weight (kg)	Size (mm)	H			h	h1	L	L1	B1	B	H1	I	J
		A	B	C									
100	760	760	590	410	90	584	410	228	270	115	85	24	
150	866	866	665	470	103	570	470	260	308	130	98	28	
180	919	919	718	500	109	710	500	276	327	145	110	32	
240	1019	1019	788	552	120	790	552	305	361	160	122	36	
300	1095	1095	850	595	130	844	595	328	388	175	136	40	
360	1160	1160	898	630	138	898	630	347	412	175	136	40	
420	1160	1160	946	660	145	946	660	366	434	192	151	45	
480	1222	1222	986	690	152	988	690	384	454	215	163	48	
570	1282	1282	1042	732	161	1042	732	407	481	215	163	48	
660	1356	1356	1093	769	169	1096	769	426	506	235	174	50	
780	1506	1506	1159	813	178	1160	813	452	535	235	174	50	
1020	1645	1645	1268	855	188	1220	855	472	560	255	200	60	
1290	1778	1778	1387	891	195	1268	891	492	584	280	215	62	
1440	1844	1844	1448	965	203	1379	965	532	630	280	215	62	
1740	1966	1966	1571	1068	234	1517	1068	589	698	310	236	68	
1920	2031	2031	1602	1104	241	1568	1104	609	722	310	236	68	
2280	2150	2150	1716	1165	255	1675	1165	645	763	340	256	74	
2460	2207	2207	1785	1194	262	1700	1194	662	784	340	256	74	
2850	2318	2318	1890	1253	275	1787	1253	695	822	380	279	82	
3060	2374	2374	1935	1283	282	1832	1283	712	841	380	279	82	
3540	2490	2490	2032	1349	295	1926	1349	749	883	385	284	82	
4050	2610	2610	2125	1406	309	2008	1406	763	924	410	305	90	
4590	2712	2712	2216	1465	322	2093	1465	813	962	415	335	100	
4890	2769	2769	2263	1498	329	2135	1498	830	984	415	335	100	
6000	2965	2965	2422	1605	352	2284	1605	889	1054	450	343	100	
6900	3100	3100	2538	1681	369	2393	1681	932	1105	480	370	110	
7800	3235	3235	2644	1752	385	2493	1752	971	1152	500	377	110	
8700	3355	3355	2742	1816	399	2585	1816	1007	1195	540	391	117	
9900	3502	3502	2863	1896	417	2699	1896	1052	1248	580	418	124	
11100	3638	3638	2975	1970	433	2803	1970	1093	1297	600	437	130	
15400	4056	4056	3318	2199	438	3126	2199	1220	1446	680	498	150	



ANCHOR

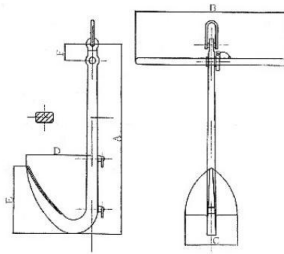
Baldt Stockless Anchor



Weight (kg)	Size (mm)	A	B	C	D	E
50	82	312	236	420	165	
75	95	358	270	482	190	
100	102	360	305	505	208	
150	120	450	340	606	237	
200	128	460	366	604	249	
250	145	510	410	680	278	
300	155	560	442	730	300	
400	170	604	482	800	328	
500	195	710	530	900	360	
625	195	725	545	900	380	
750	205	770	584	965	415	
1000	235	854	640	1068	456	
1200	250	900	710	1170	470	
1500	265	1000	748	1232	508	
1720	298	1054	844	1320	533	
2000	320	1157	864	1460	625	
2200	320	1157	868	1473	591	
2500	320	1157	868	1473	591	
3000	326	1210	912	1504	620	
3500	326	1210	997	1626	699	
4000	350	1300	1054	1740	716	
5000	375	1400	1130	1804	768	
6000	456	1600	1194	2016	870	
7000	456	1660	1225	2083	870	
8000	463	1683	1241	2375	870	
10000	490	1810	1470	2438	1000	
11000	500	1900	1413	2408	1016	
11500	500	1900	1413	2408	1016	
12500	525	1920	1435	2424	1016	
15200	600	2150	1600	2616	1090	
17200	600	2215	1670	2795	1200	
20000	676	2490	1866	3080	1268	
22000	676	2490	1866	3080	1295	
25000	711	2616	1969	3048	1365	
30000	759	2794	2096	3251	1454	
35000	800	2946	2210	3429	1524	

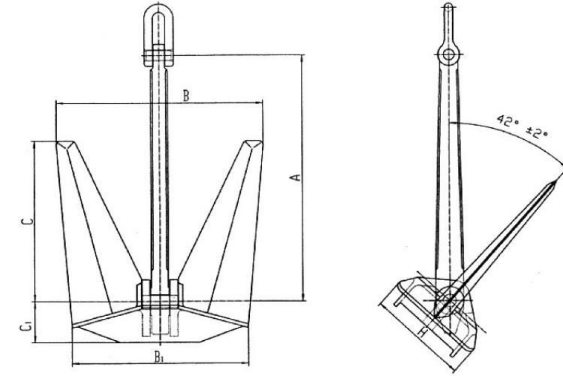
Single Fluke Anchor

Weight (kg)	Size (mm)	A	B	C	D	E	F
75	1310	1100	360	455	465	130	
100	1445	1200	400	500	510	130	
150	1650	1380	455	575	585	145	
200	1820	1520	505	630	645	160	
300	2080	1740	575	725	735	185	
400	2290	1915	635	800	810	205	
500	2470	2065	680	855	875	220	
600	2620	2190	725	910	930	230	
800	2890	2415	800	1000	1020	255	
1000	3110	2600	860	1080	1100	275	
1250	3350	2800	925	1165	1185	295	
1500	3560	2980	985	1235	1260	315	
1750	3750	3135	1035	1300	1325	330	
2000	3920	3275	1085	1360	1385	345	
3000	4485	3750	1240	1555	1585	395	
4000	4940	4125	1360	1710	1745	435	
5000	5320	4440	1472	1845	1880	468	
6000	5650	4720	1560	1960	1995	495	
7000	5950	4970	1645	2065	2100	525	
8000	6220	5200	1720	2155	2200	545	



ANCHOR

Pool Anchor (Type N)

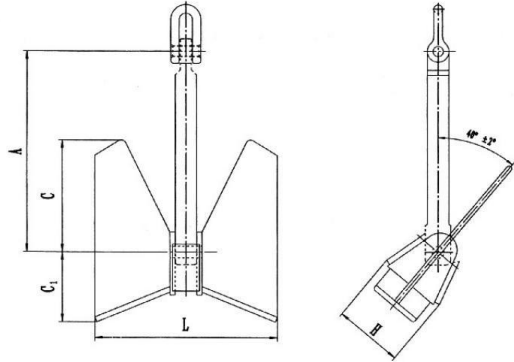


kg Nominal Weight	A	B	B1	C	C1	H
20	455	385	325	300	75	185
30	521	441	372	344	86	212
40	570	480	410	370	95	235
50	614	517	442	398	102	253
60	655	555	470	425	110	270
70	689	583	492	450	115	282
80	720	610	515	470	120	295
100	775	655	555	505	130	320
120	825	700	595	540	135	340
160	905	765	650	590	150	370
200	975	825	700	640	160	400
240	1040	880	745	680	175	425
280	1090	925	780	715	180	450
320	1140	965	820	748	190	470
360	1190	1005	855	780	195	490
400	1230	1040	885	805	205	505
440	1270	1075	910	830	210	520
480	1305	1105	940	855	215	535
520	1340	1135	960	875	220	550
560	1375	1165	985	900	230	565
600	1410	1195	1010	920	235	580
640	1440	1220	1035	940	240	590
720	1495	1265	1075	975	248	610
760	1528	1290	1096	1000	250	615
800	1550	1310	1115	1015	255	635
900	1615	1365	1160	1055	270	665

kg Nominal Weight	A	B	B1	C	C1	H
1000	1670	1410	1200	1090	275	670
1250	1800	1525	1290	1175	300	740
1500	1910	1615	1370	1250	315	765
1750	2015	1705	1445	1320	335	775
2000	2080	1770	1500	1370	345	780
2250	2105	1850	1570	1430	350	812
2500	2240	1910	1620	1510	350	839
2900	2320	1980	1650	1510	350	855
3200	2390	2040	1700	1560	360	885
3500	2470	2110	1760	1610	380	910
3900	2580	2190	1820	1670	390	945
4300	2650	2260	1880	1730	400	980
4750	2730	2330	1950	1780	420	1010
5250	2820	2410	2010	1840	430	1040
5800	2910	2490	2080	1900	450	1080
6400	3010	2570	2150	1980	460	1110
7050	3110	2660	2220	2030	470	1150
7800	3250	2750	2290	2100	480	1190
8800	3320	2840	2370	2160	510	1225
9500	3430	2930	2450	2240	520	1270
10600	3550	3030	2530	2310	540	1310
11800	3670	3130	2610	2390	560	1355
12800	3790	3240	2700	2470	580	1400
14200	3920	3350	2790	2550	600	1450
15700	4030	3450	2880	2630	610	1490
17200	4150	3550	2960	2710	630	1540

ANCHOR

Welding Pool Anchor



kg Nominal Weight	A	C	C1	L	H	kg Nominal Weight	A	C	C1	L	H	kg Nominal Weight	A	C	C1	L	H
60	586	356	205	534	200	1305	1634	995	571	1490	559	5850	2693	1641	941	2456	921
75	631	384	221	576	216	1440	1688	1028	590	1540	578	6225	2749	1675	961	2507	941
90	671	405	234	612	229	1575	1740	1059	608	1586	595	6525	2794	1701	976	2548	956
105	706	430	247	644	242	1710	1788	1089	625	1630	612	6975	2855	1740	998	2604	977
125	748	455	261	682	256	1845	1834	1117	641	1672	627	7425	2916	1776	1019	2658	997
136	769	467	268	700	263	1980	1877	1143	656	1712	642	7875	2973	1811	1039	2711	1017
160	812	494	284	741	278	2140	1927	1173	673	1757	659	8325	3029	1845	1068	2762	1036
180	845	514	295	776	289	2295	1972	1201	689	1798	675	8775	3082	1878	1077	2811	1054
225	910	554	318	830	311	2475	2022	1232	707	1844	692	9225	3134	1910	1095	2858	1072
276	967	568	338	882	331	2655	2070	1261	723	1888	708	9875	3184	1940	1113	2903	1089
315	1018	620	358	928	348	2835	2116	1289	739	1929	724	10125	3233	1970	1130	2948	1106
360	1064	648	372	970	364	3040	2165	1319	757	1975	741	10575	3280	1999	1146	2991	1122
430	1129	687	395	1030	386	3240	2212	1347	773	2017	757	11026	3326	2026	1162	3032	1138
495	1164	720	413	1079	405	3445	2258	1375	789	2059	772	11550	3377	2058	1180	3060	1155
585	1251	762	437	1141	428	3670	2306	1404	806	2102	789	12075	3428	2089	1198	3126	1173
675	1312	799	458	1196	449	3940	2361	1438	825	2153	808	12676	3484	2123	1217	3177	1192
765	1368	833	478	1247	468	4210	2413	1470	843	2201	826	13350	3544	2160	1230	3232	1213
855	1419	864	496	1295	486	4500	2463	1563	862	2250	844	14100	3609	2200	1261	3291	1234
976	1548	901	517	1350	506	4840	2528	1540	883	2305	865	15000	3685	2240	1288	3360	1261
1080	1534	934	536	1399	525	5175	2585	1575	903	2357	884	16125	3774	2300	1319	3442	1291
1195	1587	966	554	1447	543	5515	2641	1609	923	2408	903	17260	3860	2353	1349	3620	1321

